



सत्यमेव जयते



West Bengal Zoo Authority
Office of The Director
North Bengal Wild Animals Park,
5th Mile, Sevoke Road, Salugara, Siliguri-734008 (W.B.)
Email Id: - dirnbwap@gmail.com



Memo No. 1644 /E- Tender - 72/NBWAP/2023-24

Dated, Siliguri, the: 12 /02/2024

E-TENDER NOTICE

NieT No - 72/NBWAP/2023-24

Director, North Bengal Wild Animals Park, (Bengal Safari), Siliguri invites e- tender for the following work(s) from the Eligible Contractors as detailed in the table below:-

LIST OF WORKS-

Sl. No	Project No.	Name of the Work	Amount Put to Tender (Rs.)	Earnest Money @2% of estimated value (Rs.)	Price of Set of Tender Document (Rs.)	Period of Completion in (Days)
1	72	Construction of Mandrill Enclosure at NBWAP (Bengal Safari), Siliguri.	23,54,734/-	47,095/-	0.00/-	90

Detail of e-Tender Notice, Terms and Conditions, BOQ, etc will be available from website:-

<http://wbtenders.gov.in>

DATE AND TIME SCHEDULE (SEQUENCE OF TENDER)

Sl. No.	Event particulars	Date and Time	
1	Date of uploading of NleT Documents in departmental website and @ http://wbtenders.gov.in (Publishing Date)	13/02/2024	
2	Date and Time for downloading of Documents from website http://wbtenders.gov.in	Start	13/02/2024 (10:00am)
		End	27/02/2024
3	Date and time of Bid submission through the website @ http://wbtenders.gov.in	Start	13/02/2024 (10:30am)
		End	27/02/2024 (5:00pm)
4	Date time and place of opening of Technical Bid through the website @ http://wbtenders.gov.in	01/03/2024 (11:00am)	
5	Date of uploading of technically qualified bidders after Technical Bid evaluation through website @ http://wbtenders.gov.in	To be notified after opening of Technical Bid.	
6	Date time and place of opening of Financial Bid through the website @ http://wbtenders.gov.in	To be notified after opening of Technical Bid.	
7	Date of uploading of list of bidders along with their rates and also if necessary for further negotiation in offline mode for final rate	To be notified later	

Detail of e-Tender Notice, Terms and Conditions, Plan, BOQ, etc will be available from website:-

<http://wbtenders.gov.in>

1. Intending bidder may download the tender documents from the website <https://wbtenders.gov.in> directly with the help of Digital signature Certificate.
2. Both **Technical Bid** and **Financial Bid** are to be submitted concurrently duly digitally signed in the website <https://wbtenders.gov.in>
3. Tender documents may be downloaded from website and submission of Technical Bid and Financial Bid should be done as per prescribed Time Schedule.
4. The **FINANCIAL OFFER** of the prospective tenderer will be considered only if the **TECHNICAL BID** of the tenderer is found qualified by the '**Tender Committee**' formed by the Director, North Bengal Wild Animals Park, Siliguri.
5. All prospective tenderer shall be allowed to participate in one or more than one of the above mentioned works in this notice. But separate application with supporting documents and EMD should be submitted separately for each work.
6. In case of any unscheduled holiday or bundh or natural calamity on the aforementioned dates, next working day will be treated as scheduled/prescribed date for the same purpose.
7. Tender inviting authority reserves the right to defer the time and date of opening of the Technical or Financial or both bids.

8. ELIGIBILITY CRITERIA FOR PARTICIPATION IN THE TENDER.

8.1 The prospective tenders as a primary bonafide, resourceful contractor /Firm / organization / Agencies having entitlement for construction works and having credential for similar nature Work under the West Bengal Forest Department and West Bengal Zoo Authority for a period of at least 5 (Five) consecutive years in each field with satisfactory performance from the date of issue of this tender notice are eligible to participate.

8.2 To qualify for award of contract, each bidder in its name in last 5 (five) financial years should have achieved a minimum annual financial turnover of similar nature of work of not less than (i) 50% of the estimated cost of work for a single similar nature of work credential (ii) 75% estimated cost of work for two similar nature of work credentials or (iii) 100% estimated cost work for three similar nature of work credentials. Only work order cannot be accepted as credential. Payment certificate or work completion certificate to be submitted as credential. Bidder are required to submit Income tax return acknowledgement , audited balance sheet and P & L accounts for last 5 (five) financial years along with Technical Bid.

8.3 **Document:** Income Tax Acknowledgement Receipt for the latest Assessment year, P.T. Deposit Challan for the latest Assessment year, PAN Card, GST Registration Certificate, upto date EPF & ESI Registration, Bank Solvency certificate, Trade license (valid), Fully filled Application form are to be accompanied with the Technical Bid Documents.

[Statutory documents]

8.4 Bidders are required to have Trade Licence, P-Tax Registration and GST Registration with Government of West Bengal.

8.5 **Affidavit (Y):** Neither prospective Tenderer nor any of the constituent partner had been debarred to participation in ant Tender by the State/Central Government, State/Central Government undertaking. Statutory/Autonomous bodies constituted under the Central/State statute during the last 5 (five) years prior to the date of this NIT. Such debarring will be considered as disqualification towards eligibility. (A declaration in this respect has to be furnished by the prospective bidders as per prescribed format in non-judicial stamp paper, must be uploaded with both side of Stamp Paper-Affidavit-Y).

(Non-Statutory documents)

8.6 Registered Labour Co-operative Societies are required to furnish valid Bye Law, Current Audit Report, Minutes of last A.G.M (preferably), valid certificate from A.R.C.S. along with other relevant supporting papers and be submitted along with technical bid.

9. Bid shall remain valid for a period of 180 days from the first date of closing. If the bidder withdraws the bid during the validity period of bid, the earnest money as deposited will be forfeited forthwith without assigning any reason thereof.

10. EARNEST MONEY DEPOSIT AND TENDER DOCUMENT COST.

Payment procedure:

Payment by Net Banking (any listed bank) through ICICI Bank Payment Gateway:

On selection of net banking as the payment mode, the bidder will be directed to ICICI Bank Payment Gateway webpage (along with a string containing a Unique ID) where he will select the Bank through which he wants to do the transaction. Bidder will make the payment after entering his Unique ID and password of the bank to process the transaction.

Bidder will receive a confirmation message regarding success/failure of the transaction. If the transaction is successful, the amount paid by the bidder will get credited in the respective Pooling account of the State Government /PSU/Autonomous Body/Local Body/PRI, etc maintained with the Focal Point Branch of ICICI Bank at R.N. Mukherjee Road, Kolkata for collection of EMD/Tender Fees.

If the transaction is failure, the bidder will again try for payment by going back to the first step.

Payment through RTGS/NEFT:

(i) On selection of RTGS/NEFT as the payment mode, the e-Procurement portal will show a pre-filled challan having the details to process RTGS/NEFT transaction.

(ii) The bidder will print the challan and use the pre-filled information to make RTGS/NEFT payment using his Bank account.

Once payment is made, the bidder will come back to the e-Procurement portal after expiry of a reasonable time to enable the NEFT/RTGS process to complete, in order to verify the payment made and continue the bidding process.

(iii) If verification is successful, the fund will get credited to the respective Pooling account of the State Government/PSU/ Autonomous Body/Local Body/PRI, etc maintained with the Focal Point Branch of ICICI Bank at R.N. Mukherjee Road, Kolkata for collection of EMD/Tender Fees.

(iv) Hereafter, the bidder will go to e-Procurement portal for submission of his bid. But if the payment verification is unsuccessful, the amount will be returned to the bidder's account.

Refund/Settlement Process:

- I. After opening of the bids and technical evaluation of the same by the tender inviting authority through electronic processing in the e-Procurement portal of the State Government, the tender inviting authority will declare the status of the bids as successful or unsuccessful which will be made available, along with the details of the unsuccessful bidders, to ICICI Bank by the e-Procurement portal through web services.
- II. On receipt of the information from the e-Procurement portal, the Bank will refund, through an automated process, the EMD of the bidders disqualified at the technical evaluation to the respective bidders' bank accounts from which they made the payment transaction. Such refund will take place within T+2 Bank Working Days where T will mean the date on which information on rejection of bid is uploaded to the e-Procurement portal by the tender inviting authority.
- III. Once the financial bid evaluation is electronically processed in the e-Procurement portal, EMD of the technically qualified bidders other than that of the L1 and L2 bidders will be refunded, through an automated process, to the respective bidders' bank accounts from which they made the payment transaction. Such refund will take place within T+2 Bank Working Days where T will mean the date on which information on rejection of financial bid is uploaded to the e-Procurement portal by the tender inviting authority. However, the L2 bidder should not be rejected till the LOI process is successful.
- IV. If the L1 bidder accepts the LOI and the same is processed electronically in the e-Procurement portal, EMD of the L2 bidder will be refunded through an automated process, to his bank account from which he made the payment transaction. Such refund will take place within T+2 Bank Working Days where T will mean the date on which information on Award of Contract (AOC) to the L1 bidder is uploaded to the e-Procurement portal by the tender inviting authority.

- V. As soon as the L1 bidder is awarded the contract (AOC) and the same is processed electronically in the e-Procurement portal EMD of the L1 bidder for tenders of State Government offices will automatically get transferred from the pooling account to the State Government deposit head "8443-00-103-001-07" through GRIPS along with the bank particulars of the L1 bidder.

EMD of the L1 bidder for tenders of the State PSUs/Autonomous Bodies/Local Bodies/PRIs, etc will automatically get transferred from the pooling account to their respective linked bank accounts along with the bank particulars of the L1 bidder. In both the above cases, such transfer will take place within T+1 Bank Working Days where T will mean the date on which the Award of Contract (AOC) is issued.

The Bank will share the details of the GRN No. generated on successful entry in GRIPS with the E-Procurement portal for updation.

Once the EMD of the L1 bidder is transferred in the manner mentioned above, Tender fees, if any, deposited by the bidders will be transferred electronically from the pooling account to the Government revenue receipt head "0070-60-800-013-27" through GRIPS for Government tenders and to the respective linked bank accounts for State PSU/Autonomous Body/Local Body/PRIs, etc tenders.

All refunds will be made mandatorily to the Bank A/c from which the payment of EMD & Tender Fees (if any) were initiated.

There is no exemption of any kind for any of the eligible contractors towards cost of tender document fee or EMD.

11. Both technical Bid and Financial Bid should be submitted duly digitally signed by the Tenderer through the website <http://wbtenders.gov.in> as per the 'Date & Time Schedule' stated in this NIT (Details of which has been narrated in '**Instruction to Bidders**') In case of partnership firm(s), the pledged instrument (s) must reflect the name(s) of the firm as well as the name(s) and address(es) of the partner/partners who is/are authorized to pledge the same as per valid partnership deed (s).
12. **Security Deposit** - EMD submitted by successful bidder shall be converted as part of the security deposit. Remaining part of the Security Deposit of the accepted tender value will be adjusted from the bill of the contractor. No interest will be paid on Security Deposit (SD) by the authority.
13. **Additional Performance Security (APS)** - As per Finance Deptt. Govt. of West Bengal order no 4608-F(Y) dated 18.07.2018, if the bid value becomes 80% or less of the estimated value put to tender, APS shall have to be submitted @ 10 % of the tendered amount in the form of Bank Guarantee from any scheduled bank in favor of Director, NBWAP, Siliguri before issuance of the work/supply order. If the bidder fails to submit the APS within seven days, his earnest money shall be forfeited. The bank guarantee shall have to be valid up to end of contract period and shall be renewed if required.

INSTRUCTION TO BIDDERS

1. General guidance for e-Tendering:-

Instructions / Guidelines for electronic submission of the tenders have been annexed for assisting the contractors to participate in e-Tendering.

i) Registration of Contractor:-

Any contractor willing to take part in the process of e-Tendering will have to be enrolled & registered with the Government e-Procurement System, through logging on to <https://wbtenders.gov.in> The contractor is to click on the link for e-Tendering site as given on the web portal.

ii) Digital Signature certificate (DSC):

Each contractor is required to obtain a Class-II or Class-III Digital Signature Certificate (DSC) for submission of tenders from the approved service provider of the National Informatics Centre (NIC) or other certified agencies of Government of India on payment of requisite amount. Details are available on the Web Site. DSC is given as a USB e-Token.

iii) The contractor can search & download N.I.T. & Tender Document(s) electronically from computer once he logs on to the website by using the Digital Signature Certificate (DSC). This is the only mode of collection of Tender Documents.

iv) Participation in more than one work:

A prospective bidder shall be allowed to participate in the job either in the capacity of individual or as a partner of a firm.

v): Submission of Tenders:-

Tenders are to be submitted through online to the website in two folders at a time for each work, one in Technical Proposal & the other is Financial Proposal before the prescribed date & time using the Digital Signature Certificate (DSC). The documents are to be uploaded virus scanned copy duly Digitally Signed. The documents will get encrypted (transformed into non readable formats).

vi) Technical Proposal:

The Technical proposal should contain scanned copies of the following in two covers (folders)

(a) Statutory Cover Containing the following documents:-

1. NIT
2. Scan copy of EMD
3. AFFIDAVIT – “Y”

(b) Non-statutory Cover containing the following documents: As listed in eligibility criteria given in NIT.

N.B.:- Failure of submission of any of the above mentioned documents as stated will render the tenderer liable to be rejected for both statutory & non statutory cover.

1. THE ABOVE STATED NON-STATUTORY/STATUTORY DOCUMENTS (TECHNICAL BID) WILL BE EVALUATED IN THE FOLLOWING MANNER

Procedure to upload Technical documents in the web portal-

Click the check boxes beside the necessary documents in the My Document list and then click the tab “Submit Non Statutory Documents’ to send the selected documents to Non-Statutory folder. Next Click the tab “Click to Encrypt and upload” and then click the “Technical” Folder to upload the Technical Documents.

Manner of evaluation of Technical Bid-

- I. Tender Evaluation Committee (TEC)-TEC will be constituted as per Order of the Director, NBWAP, WBZA, Department of Forests, Government of West Bengal. The Director will function as Chairman of Committee for selection of technically qualified contractors.
- ii. Opening of tender: Will be made as per sequence.
- iii. Opening of Technical Proposal: Technical proposals will be opened by the Director, West Bengal Zoo Authorities and his authorized Nodal officer electronically from the website using their Digital Signature Certificate (DSC).
- iv. Intending Tenderers may remain present if they so desire.
- v. Cover (folder) for Statutory Documents will be opened first and if found in order, cover (folder) for Non-Statutory Documents will be opened. If there is any deficiency in the Statutory Documents the tender will summarily be rejected.
- vi. Decrypted (transformed into readable formats) documents of the non-statutory cover will be downloaded & handed over to the "Tender Committee".
- vii. Summary list of technically qualified Tenderers will be uploaded online.
- viii. Pursuant to scrutiny & decision of the "Tender Committee" the summary list of eligible Tenderers & the serial number of work for which their proposal considered will be uploaded in the web portals
- ix. During evaluation the committee may summon the Tenderers & seek clarification /information or additional documents or Original hard copy of any of the documents already submitted & if these are not produced within the stipulated time frame, their proposals will be liable for rejection.

1. Financial Bid:-

The financial Bid should contain the following document in one cover (folder). Bill of Quantities (BOQ): The contractor is to quote the rate (percentage above/ below/AT PAR) online through computer in the space marked for quoting rate in the BOQ. (Only downloaded copies of the above documents are to be uploaded, virus scanned and digitally signed by the contractor).

2. Dispute Redressal Committee:-

"Except where otherwise provided in the contract all question and disputes relating to the meaning of the specifications, designs, drawings and instructions herein before mentioned and as to the quality of workmanship or materials used on the work or as to any other question, claim, right, matter or thing whatsoever, in any way arising out of relating to the contracts designs, drawings, specifications, estimate, instructions, orders or these conditions or otherwise concerning the works, or the executions or failure to execute the same, whether arising during the progress of the work, or after the completion or abandonment thereof shall be dealt with as mentioned hereinafter. If the contractor considers any work demanded of him to be outside the requirements of the contract, or disputes any drawings, record or decision given in writing by the Estate section on any matter in connection with or arising out of the contract or carrying out of the work, to be unacceptable, he shall promptly within 15 days request the Chairman of the Dispute Redressal Committee in writing for written instruction or decision. Thereupon, the Dispute Redressal Committee shall give its written instructions or decision within a period of three months from the date of receipt of the contractor's letter.

The Dispute Redressal Committee in each of the works shall be constituted with the following officials as members –

1	Director, NBWAP	Chairman
2	Assistant Director, NBWAP	Member
3	Range Officer, NBWAP	Member

This provision will be applicable irrespective of the value of the works to which the dispute may relate.

SPECIAL TERMS AND CONDITIONS

1. Deployment of Qualified Engineer at Work Site:-

- a. The Contractor shall deploy Qualified Engineer to execute for Construction of Work costing Rs 50 Lakhs or above.
- b. The work shall not be executed in absence of qualified Engineer.

2. No price escalation / price variation shall be allowed till completion of work including extended period of completion.

3. Refund of Security Deposit will only be made after successful maintaining of appropriate service level of the work for at least 12 (twelve) months from the date of completion of the work.

4. Where an individual person submitting tender on behalf of a company or the firm of which he happens to be a director or partner, such individual person shall, while submitting any tender for and on behalf of such company or firm, invariably submit a copy of registered power of attorney showing clear authorization in his favour, by the rest of the directors of such company or the partner of such firm, to submit such tender. The power of Attorney shall have to be registered in accordance with the provision of the Registration Act, 1908.

5. Checking of Design and its Drawings:-

5.1 The contractor shall check all design and drawings developed by the Authorized Firm of NBWAP /WBZA.

5.2 The contractor shall discuss the deficiencies/discrepancies found in design and Drawings with the above authorized firm.

5.3 The contractor shall ensure that designed parameters are within limits and specification of relevant IS codes and NBO whichever is applicable.

2.4 In case of any differences of IS code or PWD/NBO provisions notice, the Parameter of the provision providing higher safety and Durability of Structural Design shall be followed.

5.5 In case of any difference of opinion found in developed design and checking design, it shall be discussed by both the parties to resolve it adherence of IS code with relevant Codal Provision and rectify accordingly with mutual agreements for correctness as per provision in respect of safety and durability of structure.

6. Variation in Quantities:-

6.1 The contractor shall execute the work up to enhancement of quantity of work of any of the item or nos. of items up to 25% more as included in the tender schedule on same accepted rates.

6.2 The Contractor shall agree if any of the item or nos. of items quantities reduced by the Director, NBWAP, Siliguri without any claim.

6.3 In case of any new item or items not included in tender Schedule and is to be executed for Construction up to the value of 25% more of tender estimated amount plus the value of items not operated which are included in tender schedule as decided by the Director WBZA, the contractor shall submit his rates along with analysis for reasonability of rates so Submitted. If tender Committee finds the rates are on higher side, the contractor shall attend the negotiation with modified rates to finalize the item for execution and Continuation of work without loss of time. The analysis submitted by the Contractor shall be supported by the market rates if any of the item otherwise not appearing in PWD SOR/2017 and its components parts involved like Cement etc for which rates are already available in PWD SOR. The item which is available in PWD SOR but not in the tender Schedule, the analysis of rates shall be worked out as per Rates available in the PWD SOR against such items. In case the tender committees find it necessary to call for negotiation of accepted rate in contract for repercussion of deletion/variation of any major items, rate appearing on higher side, contractor should agree to negotiate freely with analysis of rates.

3. Assurance of Material's Quality-

All materials test results should confirmed to IS code provisions. The test results not as per the provisions, the material lot and source shall be rejected for further procurement and the material so unloaded in store/site, shall be removed.

7.1 **Cement-** The cement lot received in store/ at site for execution of work shall be procured from the approved manufactures (Ambuja, Birla, ACC etc) dealers/stock holders and the invoice/challan for dispatch and procurement payment bill etc shall be submitted with the authorized representative of the Director NBWAP, Siliguri.

7.1.1 The Cement Sample of the lot as decided by the authorized representative shall be collected and tested for its strength and setting times along with chemical tests in Govt. approved Labs. All arrangements shall be made by the contractor of its own cost.

7.2 Aggregates-

7.2.1 **Coarse aggregate** shall be procured from the approved dealer of Pakur Variety and invoice/challan for dispatch and procurement payment bill etc shall be submitted with the authorized representative of the Director, Siliguri.

7.2.2 The sample shall be collected from the lot unloaded at site for its testing in approved govt lab for Crushing Strength, Water Absorptions, Flakiness and Elongation test, Abrasion and Impact/ California Tests. Or any other tests if necessary.

7.2.3 The above sample may also be stored in transparent jar sealed for future quality comparison of the lot unloaded at site.

- 7.2.4 **Fine aggregate** shall be procured from the approved mines/ river bed as specified in PWD SOR/West Bengal Mines Authority for use of construction work.
- 7.2.5 The lot sample shall be collected and tested in the approved Govt. lab for Sieve Analysis, Fineness Modulus, Water Absorption, Chemical tests, Specific Gravity test etc.
- 7.2.6 The above sample may also be stored in transparent jar sealed for future quality comparison of the lot unloaded at site.
- 7.2.7 The moisture content as per varied climatic condition at site shall be tested for controlling the W/C ratio in Concrete mix.
- 7.2.8 The bulking of Fine Aggregate if so necessary shall be tested as per IS code.
- 7.3 Reinforcement Steel:-**
- 7.3.1 The reinforcement steel shall be procured from the approved dealer/stock Holder of the manufactures as listed in the schedule i.e. SAIL/TATA/RINL and the invoice/challan for dispatch and procurement payment bill etc shall be submitted with the authorized representative of the Director, NBWAP, Siliguri.
- 7.3.2 The lot procured and unloaded at site/store shall ensure that each bar carry the manufacturer's trademarks.
- 7.4 Water used for Construction and Curing:-**
- 7.4.1 The source of water shall be decided before start of work.
- 7.4.2 The source so decided or developed Water sample shall be tested in Govt. approved lab.
- 7.5 Admixture/Super-plasticizers:-**
- 7.5.1 ISO approved brand shall be procured from the authorized dealer of the manufacture.
- 7.5.2 The item collected in store/at site, shall be supported by invoice no, Technical Data Sheet for its genuine purchase.
- 7.6 Concrete :-**
- 7.6.1 The casting of Concrete cubes shall be tested on prescribed frequency as per IS code or as directed by authorized representative of Director, NBWAP, Siliguri.
- 7.6.2 The sample of concrete for casting the test cube shall be collected from that mixture as directed by authorized representative of Director, NBWAP, Siliguri.
- 7.6.3 All the cube samples shall be carried out for the prescribed period with respect to date of casting as per IS code in the Govt. approved Lab.
- 7.6.4 The slump test shall be carried out at site of work as per IS code provision.
- 7.6.5 In case the test results not as per the provision, batch mix shall be cancelled and concrete shall be removed as directed by the representative by the Director, NBWAP, Siliguri.
- 7.6.6 The mix design cubes shall be casted as per IS provision for specimen and shall be tested in approved Lab before start of concrete work.
- 7.7 Brick:-**
- 7.7.1 First class brick procured source shall be decided before construction.

- 7.7.2 The material unloaded at site shall be supported by challan/invoice.
- 7.7.3 The required test shall be carried out as per IS code like Water Absorption, Crushing strength, ringing test as directed by the representative by the Director, NBWAP, Siliguri.
- 8.0 Pile Test :-**
- 8.1.1 The periodic Pile Load test shall be arranged for selected site by the representative by the Director, Siliguri.
- 8.1.2 If necessary the Ultrasonic test for pile shall be arranged by the contractor at his own cost.
- 9.0 Any other test so required shall be arranged and conducted by the contractor as per IS code provision for want of characteristics strength and any other reason.

PART - A
GENERAL CONDITIONS

1. The bidder participated in more than one tender, and appearing as the lowest (L1) bidder in all tenders or in some of the tenders, the technical committee shall decide the number of tenders to be accepted for award of tenders works based on the bidder financial status capacity as submitted in the technical bids arriving closer to the equivalent of the total requirements of eligibility against each tender. The bidder shall accept the decision taken by the tender committee. The bidder shall not have any right to choose the tenders to be awarded.
2. All affidavits are required to be submitted with stamp paper both side scanned. Without both side scanned stamp paper participation of bidder will be disqualified during technical evaluation. An affidavit mentioning the name of technical staffs.
3. Bidders are required to give a details work programme in the form of a bar chart/work flow chart along with tender.
4. All the participants have to upload undertaking that they do not have any litigation that past or present with any Govt. /PSU/Semi-Govt. Organization of the State.
5. The hard copy of all submitted documents online should be submitted by the bidders to the office of the Director, NBWAP for verification if required.
6. If any agency/agencies have not completed any work of NBWAP within stipulated time frame given, shall be liable for rejection.
7. Design may change (even during execution) based upon decision of CZA/WBZA and Contractors will follow the revised drawings and construct work as per accepted rates and have to modify accordingly without extra payment.
8. Running payment for work may be made to the contractor as per availability of fund. The contractor may get a running payment if the gross amount of each running bill is 50% & more of the agreement amount. The number of any item may vary depending on actual requirement basis.

9. Security Deposit: EMD submitted by successful bidder shall be converted as part of the security deposit. Remaining part of the Security Deposit of the accepted tender value will be adjusted from the bill of the contractor. No interest will be paid on Security Deposit (SD) by the authority.
10. All materials required for the proposed work including **Cement of ISO / BIS APPROVED Manufacturers only, Steel, (TATA/SAIL/JINDAL only) , & all coarse aggregates of Pakur variety only sand and boulder, other materials** shall be as specified and approved brand in conformity with relevant code of practice (latest revision) and PWD / SOR specifications, and shall be procured and supplied by the agency at their own cost only from “authorized dealers” as defined u/s 2(11) of the West Bengal Value Added Tax Act, 2003, including all taxes. Authenticated evidence for purchase of all materials are to be submitted along with receipted Challan and authenticated test certificate before start of work in stages. If required by the Engineer-in-Charge, further testing from any Government approved Testing Laboratory shall have to be conducted by the agency at their own cost. **Constructional Labour Welfare CESS @ 1% (one percent)** of cost of construction will be deducted from every Bill of the contractor.
11. There shall be no provision of Arbitration. Hence Clause 25 of 2911(ii) stands omitted vide notification no 558/SPW dt, 13.12.2011 of Pr. Secretary, PW & PW (Roads) Deptt. In any dispute, which is even not solved after appealing to Member Secretary, WBZA dispute redressed committee vide GO no 8182-F(Y) Kolkata 26/9/2012 is to be followed.
12. No Mobilization /Secured advance will be allowed.
13. The contractor shall execute the work in such a manner so that steady proportionate progress of the work is maintained during execution of work.
14. Refund of Security Deposit will only be released after successful maintaining of appropriate service level of the work at least for **12 (twelve) months** from the date of completion of the work to the entire satisfaction of the Engineer-in-Charge is mandatory.
15. If any defect/ damage are found during the period as mentioned above, the contractor shall make the same good at his own cost true to the specification at par with instant project work. On failure to do so, penal action against the contractor will be imposed by the Department as deemed fit.
16. Site of work and necessary drawings shall be provided to the contractor in phase wise. No claim in this regard will be entertained.
17. The Bidder, at his own responsibility and risk is advised to visit and examine the site of works and its surroundings and obtain all information that may be necessary for preparing the Financial Bid and entering into a contract for the work as mentioned in the Notice Inviting Tender, before submitting offer with full satisfaction, the cost of visiting the site & expenditure, if any, shall be at his own expense. This office is not liable for any local problems/hindrances and bidders are requested to follow necessary steps as per Laws & procedure thereof.
18. The intending Bidders shall clearly understand that whatever may be the outcome of the present invitation of Bids, no cost of Bidding shall be reimbursable by the Department.

19. Contractor shall have to comply with the provisions of **(a)** the contract labour (Regulation Abolition) Act. 1970 **(b)** Apprentice Act. 1961 and **(c)** minimum wages Act. 1948 **(d)** Indian Forest Act, 1927 & amendments **(e)** Wildlife (Protection) Act 1972 & amendments of the notification thereof or any other laws relating thereto and the rules made and order issued there under from time to time.
20. During scrutiny, if it comes to the notice of the tender inviting authority that the credential or any other paper found incorrect / manufactured / fabricated / fake, such Tenderer bids shall be rejected without any prejudice bids, bidder would not be allowed to participate in the tender.
21. The Director, NBWAP, Government of West Bengal reserves the right to cancel the N.I.T. due to unavoidable circumstances and no claim in this respect will be entertained.
22. The contractor's any of the documents on verification if found incorrect / manufactured / fabricated / fake or false in that case awarded contract work liable to be terminated with imposition of penalties or penalized as deemed fit. The balance work shall be awarded on risk and cost basis tender.
23. Director NBWAP decision shall be final and binding to follow in case of any discrepancy arises between two similar clauses contained in contract agreement.
24. The construction of the project work as mentioned in the schedule will have to be undertaken immediately on receipt of work order and the work must be completed as mentioned in the work order in conformity with "BAR CHART".
25. Extension of time will not be allowed under any circumstances. (Except flood, earthquake) Penalty of 1% for delay of 0-15 days, 5% for 16-30 days, 10% above 31 days for time overrun beyond time of completion. Thereafter if work progress not improved, the work shall be terminated with forfeiture of Security Deposit and Balance bill payments if so due and balance work shall be completed at risk and cost basis contract. The decision of Director, NBWAP is binding and final in this respect.
26. Materials will have to be procured by the contractors by themselves following the standard & specifications of PWD/PHE Schedules of the district, subject to the approval of the undersigned or his authorized Officers. Timber/logs must have valid receipt from registered dealer along with Transit Pass reference no. In case of supply of any material by the department, the cost of such material will be recovered from the bill of the Contractor.
27. The Tenderers are required to inspect the sites, site plans and specifications of the works before submission of the tender and future ignorance of any such item will not be entertained.
28. Royalty for any material, if obtained from Forest area, will have to be paid by the contractor. Even if the material is procured from other Govt. Deptt's resources, the receipt for payment of such material must be shown and photocopies to be attached with the bill. Extra payment for such payment of Royalty etc. will not be entertained.
29. All tools & plants required for execution of the works should be owned / hired in the name of Company or contractor at own cost.
30. Brick works, cement concrete works & plastering works and similar works which require curing should be done for the period as prescribed in the P.W.D. Schedule of Rates.

31. The Director NBWAP reserves the right to terminate the agreement at any point of time of execution of the work within the schedule of time of completion of the tendered work, If performance quality and / or progress of various items of work are not satisfactory, or delayed or violate any term & condition of agreement.
32. The contractor is liable to pay the skilled, unskilled and other labour wages as per existing rules. Local skilled Forest Protection committee members may be involved but is not mandatory.
33. Deduction of TDS & Labour welfare cess, if applicable shall be made as per rule in vogue. The total tender value is inclusive of all taxes.
34. The successful tenderer will not assign the work or part of the work to any other contractor as sub contract work.
35. The contractor may, however authorize any person working under his firm on roll as employee to supervise the day to day work, submit the requisition of materials, attend the measurement when taken by the authorized officer and record his signature on the work measurement note books. The authority there to duly approve by the Director, NBWAP or its authorized representative.
36. In case of any dispute the decision of the Director, NBWAP will be final and binding for completion of work. However if contractor is not satisfied, he is liberty and free to represent to the higher Authority without suffering the progress.
37. The tender notice along-with all terms & conditions, tender Schedule as hausted on website for tender notice work will form the part of the agreement to be executed.
38. The Tender inviting authority reserves the right if practicable to split the work amongst the lowest bidders appearing with same rate or to award the work any one of two who's Credentials are superior over other. It is therefore requested to submit the list of works Completed and list of works in progress along with work wise details for last three years period including last three financial year's turnover along with Audited sheets.
39. The successful agency/contractor will have to make an agreement on terms and conditions of the contract on a Rs. 100/- non judicial stamp paper, the cost of which will be borne by the contracting agency/firm/company. In the event of failure to execute formal tender agreement within the allotted time the Agency/Supplier/Tenderer will be liable for punishment and deposited Earnest Money will be forfeited & he will be debarred from participating in any Tender Works by the Director, NBWAP.
40. Location of the works will be finalized by the by The Director, NBWAP after joint inspection.
41. Any part while signing agreement realized as typographical mistake in case of Unit, Rate, Quantity, Amount, any type of nomenclature in items of works / item itself including description etc. shall not be altered and whatsoever as stated in documents shall be included in the agreement. The operation of such item is reasonable and practicable shall be decided by the Director NBWAP whether to execute for construction or to drop and call for as additional new item rates as per contained in terms and conditions of tender.
42. Work order will be issued subject to approval of fund from higher Authority.

PART – B
GENERAL INSTRUCTIONS TO TENDERERS

- 1. INCOME TAX CERTIFICATES:** A Certificate of Income tax clearance from the appropriate authority in the forms prescribed there for duly indicating annual turnover. These certificates shall be valid for one year from the date of issue or for the period prescribed therein for all tenders submitted during the period. Copy of last assessment order duly certified as true copy by the chartered accountant shall also be submitted.

- 2.0** Information on type of holding details of the Tenderer's organization shall be submitted as follows:
 - 2.1 IN CASE OF FIRMS WITH SOLE OWNERSHIP:** Full name, experience and address of the proprietor and nature of business.

 - 2.2 IN CASE OF PARTNERSHIP FIRMS:** The names of all the partners with addresses and their experience. A copy of the partnership deed/ instrument of Partnership duly certified by a Notary Public shall be enclosed.
 - 2.2.1 The value of work shall be taken in the same proportion of share of partnership deed.

 - 2.2.2 if the partnership deed do not speak of percentage share of each partner, it shall not be considered as Credential for qualifying Eligibility criteria.

 - 2.3 IN CASE OF COMPANIES:** Date and place of registration including date of commencement certificate in case of public companies and the nature of business carried out by the Company. Certified copies of memorandum and Articles of Association are also to be furnished. Also indicate names, addresses and experience of the Directors.

- 3. RETURN OF SECURITY DEPOSIT:** If the contractor fully performs and completes the work in all respects to the entire satisfaction of NBWAP and presents an absolute "**No Demand Certificate**" in the prescribed form and returns properties belonging to WBZA taken, borrowed or hired by him for carrying out the said works and shall be released only after the Guarantee Period of 12 months is completed satisfactorily.

- 4. No interest** shall be payable by NBWAP on Earnest Money Deposit, Security Deposit or on any moneys due to the contractor.

- 5.0 COMMENCEMENT AND COMPLETION OF WORK**
 - 5.1 The contractor shall commence the work within the time indicated in the Letter of Intent / acceptance and shall proceed with the same with due expedition without delay. The responsibility of successful tenderer under this Contract commences from the date of issue of the Letter of Intent.

 - 5.2 If the successful tenderer fails to commence the work within the stipulated time, NBWAP, at its sole discretion, will have the right to terminate the contract. The Security Deposit will stand forfeited without any further reference to him without prejudice to any and all of NBWAP other rights and remedies in this regard.

 - 5.3 All the works shall be carried out under the direction and to the satisfaction of the Director NBWAP Siliguri.

6.0 MEASUREMENT OF WORK AND MODE OF PAYMENT

- 6.1 All payment shall be made in the name of contractor by Account's Payee Cheque.
- 6.2 For progress/ running bill payments, the contractor shall present detailed measurement book and sheets in triplicate duly indicating all relevant details based on technical documents and connected drawings for the work done during the month. These measurement sheets shall be prepared jointly with Engineer and signed by both the parties.
- 6.3 These measurement sheets will be checked by the Engineer and quantities and percentages eligible for payment under different groups shall be decided by him. The abstract of quantities and percentages so arrived at based on the terms of payment shall be entered in the **Measurement Book** and signed by both the parties.
- 6.4 Based on the above quantities, contractor shall prepare the bills in the prescribed Performa and work out the financial value. These will be entered in the Measurement Book and signed by both the parties. Payment shall be made after affecting the necessary recoveries due from the contractor.
- 6.5 Measurement shall be taken jointly by persons duly so authorised by the Director NBWAP and the Contractor and shall follow the relevant provisions of IS code and PWD / SOR 2017 for recording and taking measurements.
- 6.6 The Contractor shall bear the expenditure involved, if any, in making the measurements and testing of materials to be used/ used in the work. The Contractor shall, without extra cost to NBWAP, provide all the assistance with appliances and other things necessary for measurement.
- 6.7 If, at any time due to any reason whatsoever, it becomes necessary to re-measure the work done, in full or in part, the expenses towards such re-measurement shall be borne by the Contractor.
- 6.8 Final measurement bill shall be prepared in the Performa prescribed for the purpose, based on the certificate issued by the Engineer that the entire work as stipulated in the tender specifications has been completed in all respects to the entire satisfaction of WBZA. The Contractor shall give 'No Claim' and 'No Demand' certificates. All the tools and tackles loaned to him should be returned in condition satisfactory to NBWAP. The abstract of final quantities and financial values shall also be entered in the Measurement Book and signed by both the parties.

7.0 RESPONSIBILITIES OF CONTRACTOR IN RESPECT OF LOCAL LAWS, EMPLOYMENT OF WORKERS, ETC.

The following are the responsibilities of the Contractor in respect of observance of local laws, employment of personnel, payment of taxes etc.

- 7.1 As far as possible, unskilled workers shall be engaged from the local areas in which the work is being executed.

- 7.2 The contractor at all times during the continuance of this contract, shall in all his dealings with the local labour for the time being employed on or in connection with the work, has due regard to all local festivals, religious and other customs.
- 7.3 The Contractor shall comply with all State and Central Laws, Statutory Rules, Regulations, etc., such as The payment of wages Act, The Minimum Wages Act, The workmen's Compensation Act, The Employer's Liability Act, The industrial Disputes Act, The Employees' Provident Fund Act, Employees' State Insurance Scheme, the Contract Labour (Regulations and Abolition Act, 1970) and other Acts, Rules and Regulations for labour as may be enacted by the Government during the tenure of the Contract and having force or jurisdiction at site. The contractor shall give to the local Governing Body, Police and other concerned Authorities all such notice as may be required under law.
- 7.4 The Contractor, in the event of his engaging 20 or more workmen, will obtain independent license under the Contract Labour (Regulations and Abolition Act, 1970) from the concerned authorities based on the certificate (Form-V) issued by the principal employer.
- 7.5 The contractor shall pay all taxes, fees, license charges, deposits, duties, tolls, royalty, commissions or other charges which may be liveable on account of any of his operations connected with this contract. In case NBWAP make any such payment, it shall be recovered from the contractor bill.
- 7.6 The contractor shall be responsible for the provision of health and sanitary arrangements more particularly described in the Contract Labour (Regulations and Abolition Act, 1970) and safety precautions as may be required for safe and satisfactory execution of the contract.
- 7.7 The contractor shall be responsible for proper accommodation including adequate medical facilities for the personnel employed by him.
- 7.8 The contractor shall be responsible for the proper behaviour and observance of all regulations by the staff employed by him.
- 7.9 The contractor shall ensure that no damage is caused to any person / property of other parties working at site. If any such damage is caused, it shall be the responsibility of the contractor to make good the losses and compensate them.
- 7.10 Any delay in completion of works or non-achievement of periodical targets, due to reasons attributable to the contractor, will have to be compensated by the contractor either by increased manpower and resources at no extra cost to NBWAP.
- 7.11 The contractor will be directly responsible for payment of wages to his workmen. A pay-roll sheet giving details of all payments made to the workmen duly signed by the contractor's representative should be furnished to the Director, NBWAP, if called for.
- 7.12 In case of any class of work for which there is no specification laid down in the contract, such work shall be carried out in accordance with the instructions and requirements of the Engineer.
- 7.13 **No idle labour charges** will be admissible in the event of any stoppage of work resulting in the contractor's workmen being rendered idle due to any reason at any time.

- 7.14 The contractor shall keep the area of work clean and shall remove the debris etc while executing day-to-day work. Upon completion of work, the contractor shall remove from the vicinity of work, all scrap, packing materials, rubbish, unused and other materials and deposit them in places specified by the Engineer. The contractor will also demolish all the hutments, sheds, offices, etc. constructed and used by him and shall clean the debris. In the event of his failure to do so, the same will be arranged to be done by the Engineer and the expenses recovered from the contractor.
- 7.15 The contractor shall execute the work in the most substantial and workman like manner in the stipulated time. Accuracy of work and timely execution shall be the essence of this contract. The contractor shall be responsible to ensure that the quality, assembly and workmanship as per specifications and mode of operations conform to the required dimensions and clearance given in the drawings and/ or as per the instructions of the Engineer.
- 7.16 No land belonging to WBZA shall be occupied by the Contractor without written permission of the Director, NBWAP.

8.0 RESPONSIBILITIES OF CONTRACTOR IN RESPECT OF SAFETY OF MEN, EQUIPMENT, MATERIAL AND ENVIRONMENT.

- 8.1 One safety officer shall be deployed by the contractor to observe all safety rules and obeyed taken care of concerning working group of contractor. He will also council from time to time all fields staff. The contractor shall be responsible for the safety of the equipments /materials and work to be performed by him and shall maintain all lights, fencing, guards, signs and other protection necessary for the purpose. The contractor shall arrange for such safety devices as necessary and shall carried out the requisite site test of handling equipments, lifting tools, tackles, etc as per usual standards and practices.
- 8.2 The contractor shall provide the listed items to its work force and ensure the use of the following personal protective equipment as found necessary and as directed by the authorised WBZA officials.
- (a) Safety Helmets conforming to IS-2925
 - (b) Safety Belts conforming to IS-3521
 - (c) Safety shoes conforming to IS-1989
 - (d) Eye, Ear & Face Protection devices conforming to IS-8520 and IS-8940, IS-5983
 - (e) Hand & body protection devices conforming to IS-2573, IS-6994, IS-8807 & IS-8519.
 - (f) Rubber gloves for electrical purposes confirming to IS-4770
 - (g) Industrial safety gloves (leather & cotton gloves) confirming to IS-6994
 - (h) Industrial and safety rubber knee boots confirming to IS- 5557
- 8.2 All tools, tackles, lifting appliances, material handling equipment, scaffolds, cradles, safety nets, ladders, equipment etc. used by the contractor shall be of approved brands.
- 8.4 All electrical equipment, connections and wiring for construction power, its distribution and use shall conform to the requirements of Indian Electricity Act and Rules. Only electricians licensed by the appropriate statutory authority shall be employed by the Contractor to carry out all types of electrical works. All electrical appliances including portable electric tools used by contractor shall have safe plugging system to source of power and be appropriately earthed.

- 8.5 The contractor shall not use any hand lamp energised by electric power with supply voltage of more than 24 volts. For work in confined spaces, lighting shall be arranged with power source of not more than 24 volts.
- 8.6 Where it becomes necessary to provide and / or store petroleum products, explosives, chemicals and liquid or gaseous fuel or any other substance that may cause fire or explosion, the contractor shall be responsible for carrying out such provision and/or storage in accordance with the rules and regulations laid down in the relevant Government Acts, such as Petroleum Act, Explosives Act, petroleum and Carbides of Calcium Manual of the Chief Controller of Explosives, Government of India etc. Prior approval of the authorised NBWAP official at the site shall also be taken by the contractor in all such matters.
- 8.7 No work at site shall be allowed to carry out after sunset unless it becomes necessary to complete the job and sufficient light arrangements and protection means adopted. Otherwise such situation to arise be avoided. The contractor shall have arrangement at his cost (wherever not specified) appropriate illumination at all work spots for safe working, when natural daylight may not be adequate for clear visibility.
- 8.8 In case of a fatal or disabling injury / accident to any person at construction sites due to lapses by the contractor, the victim and / or his / her dependents shall be compensated by the contractor as per statutory requirements.
- 8.9 In case of any delay of progress due to lapse of the contractor or on Administrative ground, contractor shall apply the extension of period of contract for completion of work as per extended period.
- 8.10 Necessary precautions and arrangements including sprinkling of water during work as acceptable to NBWAP for safety and reducing environmental pollution have to be made by the contractor. No claim on this account shall be entertained on this account and the contractor's rates shall be deemed to have taken this into account.

9.0 INSURANCE

- 9.1 NBWAP shall not arrange for insuring the materials / property of NBWAP covering the risks during transit, storage, erection and commissioning. The Contractor has to arrange on his own insurance pertaining to their scope of work for all workers and to arrange for accident risk policy/ workmen compensation policy, materials like Cement, Reinforcement steel and other bought out items and other valuable building materials during its transport, storage, till it goes to the permanent work, their all T & Ps and, IMTEs and fixed assets which they may acquire and deploy at site. Proper insurance cover against any eventuality such as earthquakes, floods and other calamities has to be taken by the contractor for constructed and completed structures at site till these are handed over to NBWAP.
- 9.2 It shall be the sole responsibility of the contractor to insure his workmen against risks of accidents and injury while at work as required by the relevant Rules and to pay compensation, if any, to them as per Workmen's Compensation Act. The contractor shall also insure his staff against accidents. The work will be carried out in a protected area and all the Rules and Regulations of NBWAP in the Project Area which are in force from time to time will be followed by the contractor.

- 9.3 If due to negligence and/or non-observance of safety and other precautions, any accident / injury occurs to any other persons/ public, the contractor shall pay necessary compensation and other expenses if so required, contractor shall initiate case for legal action against defaulter workman and such employee shall not be allowed to continue to work at site.
- 9.4 The contractor will take necessary precautions and due care to protect the material, while in his custody from any damage/ loss till the same is taken over by WBZA. In case of any theft of material under contractor's custody, matter shall be reported to police by the contractor immediately and copy of FIR and subsequently police investigation report may be initiated for claim with insurance agency.
10. For any purpose whatsoever, the employees of the contractor shall not be deemed to be in the employment of NBWAP.
- 11 **GUARANTEE:-** In the event of the contractor failing to repair the defective works within the time specified by the Engineer, NBWAP may proceed to undertake the repairs of such defective works at the contractor's risk and cost, without prejudice and recover the same from SD amount.
- 12 **TERMS AND CONDITIONS FOR CIVIL, STRUCTURAL AND FINISHING WORKS**
- 12.1 CONTRACTOR'S SITE OFFICE / SUPERVISION** The Contractor shall establish an office at Site and keep posted an authorised, responsible officer with valid Power of Attorney for the purpose of the contract if the contractor himself not available during the progress. Any order or instructions of the Engineer or his duly authorised representative, communicated to the contractor's representative at site office will be deemed to have been communicated to the contractor at his legal address for immediate compliance.
- 12.2 SUPERVISORY STAFF AND WORKMEN**
- 12.2.1 The contractor shall deploy all the experienced skilled, semiskilled and unskilled workmen required for all the works under this specification.
- 12.2.2 The supervisory staff including qualified Engineers deployed by the contractor shall ensure proper out-turn of work and discipline on the part of the labour put on the job by the contractor and in general see that the works are carried out in a safe and proper manner and in coordination with other labour and staff deployed directly by NBWAP or other contractors of NBWAP / other agency.
- 12.2.3 During the course of construction, if the progress is found unsatisfactory, or in the opinion of WBZA, if it is found that the skilled workmen like welder, fitters, technicians etc. deployed are not sufficient, contractor shall arrange more work force to cope up progress.
- 12.2.4 The Contractor shall ensure deposit of provident funds and get necessary ESI of their deployed workmen, employees at site and produce documents to NBWAP in respect of these as desired by NBWAP from time to time as per the Govt. rules.

12.3 TOOLS AND PLANTS / IMTEs

- 12.3.1 All T&Ps and IMTEs which are required for successful and timely execution of the work covered within the scope of this tender, shall be arranged and provided by the contractor at his own cost in working condition. Indicative lists of T & Ps and IMTEs to be arranged by the contractor as bar chart prepared for each item of work.
- 12.3.2 The day to day and routine maintenance of T& Ps should be carried out by contractor as per manufacturer's schedule at his cost. These shall be maintained in good working condition during the entire period of use. T&Ps in defective / damaged condition shall be rectified promptly to the full satisfaction of NBWAP engineer. Contractor shall maintain records for maintenance of major T&Ps which shall be made available for Inspection whenever required. Any delay in progress shall be on contractor's account.
- 12.3.3 Increasing / shortening of the crane boom to suit work requirements shall have to be arranged by the contractor at his cost. All necessary manpower, tools, support, consumables, illumination etc. will have to be arranged by contractor at his cost.
- 12.3.4 Consolidation of ground and arrangements of sleepers/ sand bag filling etc for safe operation /movement of equipment including cranes/trailers etc shall be the responsibility of the contractor at his cost.
- 12.3.5 Contractor shall ensure deployment of serviced and healthy T&Ps including cranes, lifting tackles, wire ropes, Manila ropes, winches and slings etc. History card and maintenance records for major T&Ps will be maintained by the contractor and will be made available to NBWAP Engineer for inspection as and when required. Identification for such T&Ps will be done as per NBWAP Engineer's advice.
- 12.3.6 Retesting / re-calibration /standard Tape shall also be arranged at regular intervals during the period of use as advised by NBWAP Engineer with in the contract price. The contractor will also have alternate arrangements for such IMTE so that work does not suffer when the particular instrument is sent for calibration.

13.0 MATERIALS

- 13.1 **WBZA will not supply any material.** All the material arranged by the contractor shall confirm these specifications and supported by the documentary proof for purchase of material from the authorised dealer and source.
- 13.2 All materials to be provided by the contractor shall be of best kind in conformity with the specifications laid down in the contractor or as per relevant Indian Standard/PWD SOR.
- 13.3 It shall be the responsibility of the contractor to obtain prior approval of NBWAP, regarding suppliers, type of electrodes etc. before procurement of welding electrodes / TIG wires. On receipt of electrodes at site these shall be subjected to inspection and approval by NBWAP. The contractor shall inform NBWAP details regarding type of electrodes, batch No., date of expiry etc. and produce test certificate for each lot / batch with correlation of batch / lot number with respective test certificate. Without valid test certificate, the use of welding electrodes is prohibited.

14.0 Stacking and Storage of Materials

- 14.1 Fine Aggregate- it should be stacked on a dry brick pavement floor and should be made fit as per the required Zone by mixing the missing sizes. The detail of stacking, cleaning etc should be done as per PWD SOR and Zone should be followed as per IS Code.
- 14.2 Coarse Aggregate- it should also be stacked over the Brick pavement.
- 14.3 Reinforcement Steel- it should be placed as per the direction of the Authorized person of the Director.
- 14.4 The cement should be placed in dry room over wooden floor as per the direction/ PWD SOR. The cement brand, Date of Manufacturing etc all the details must be clearly visible over the waterproof bags of Cement.

NOTE-

It is to ensure while collecting the above materials for mixing that the natural surface soil is not mixed up with the above materials. If so happened, then it must be kept aside and should be washed before prior use.

15.0 Grid Layout plan-

It should be got approved at site before commencement of work before excavation of foundation and got approved by Director's Authorized Person.

16.0 SITE DRAINAGE

- 16.1 All water including sub-soil water which may accumulate on the Site during the progress of the works or in trenches and excavations, including monsoon period shall be removed by the contractor from the Site to the satisfaction of the Engineer. It will also be responsibility of the contractor to de-water all the foundation pits, trenches with suitable de-watering methods like, pumping out, well point system etc. considering the depth of water table at plant site. All such expenditure on **de-watering** shall be deemed to be included in quoted rates.

Note- the casting of concrete work at shallow water ground level, the dewatering should be on continuous process at such location extra use of cement in concrete 10%-12% shall be insure as per IS code without any extra cost, same should be included in quoted rate.

17.0 SAFETY CODE

- 17.1 It is to note that Explosives shall not be used at work site by contractor except rare permitted by the Director's NBWAP. Where explosives are used, the same shall be stored in a special magazine to be provided by and at the cost of the contractor who shall be liable for all damages, losses and injury to any person or property and shall be responsible for complying with all statutory obligations in this respect. Further, the contractor is required to provide proper Safety Net System wherever the hazard of fall from height is present as per instructions of NBWAP Engineer at site. The safety net shall be duly tested and shall be of ISI mark and the nets shall be located as per site requirement to arrest and avoid any consequences of a possible fall of persons working at different heights.

17.2 The contractor will be responsible for Health, Safety & Environment management at site for the construction activities to be carried out by them in accordance with safety rules and regulations.

17.3 Contractor shall ensure pre employment medical check for all staff & workers. And arrange adequate minimum First Aid facilities with trained staff. If necessary, contractor shall call ambulance to meet with required emergency treatment.

18.0 NUISANCE : The Contractor shall not at any time do, cause or permit any NUISANCE on Site or do anything which shall cause unnecessary disturbance or inconvenience to owners, tenants or occupiers of other properties near the Site and to the public generally.

19.0 MATERIAL OBTAINED FROM EXCAVATION

Materials of any kind obtained from EXCAVATION on the Site shall remain the property of NBWAP and shall be disposed of as the Engineer may direct, at no extra cost.

20.0 TREASURE, TROVE, FOSSILS etc.

All fossils, coins, articles of value or antiquity and structures and other remains or things of geological or archaeological interest discovered on the site shall be the absolute property of NBWAP and the Contractor shall take reasonable precautions to prevent his workmen or any other person from removing or damaging any such article or thing, shall immediately upon discovery thereof and before removal acquaint the Engineer with such discovery and carryout the Engineer's directions as to the disposal of the same.

21.0 PROTECTION OF WORKS

21.1 Trees designated by the Engineer shall be protected from damage during the course of the Works and earth level. Where necessary, such trees shall be protected properly.

21.2 The contractor shall provide and maintain at his own expense all lights, guards, fencing and watching when and where necessary or required by the Engineer for the protection of the Works or for the safety and convenience of those employed on the Works or the public.

21.3 The contractor shall have total responsibility for protecting his works till it is finally taken over by the Engineer. No claim will be entertained by the Engineer for any damage or loss to the contractor's works and the contractor shall be responsible for the complete restoration of the damaged works to its original condition to comply with the specifications and drawings. Should any such damage to the contractor's works occur because of other party not under his supervision or control, the contractor shall make his claim directly with the party concerned. The contractor shall not cause any delay in the repair of such damaged works because of any delay in the resolution of such disputes. The contractor shall proceed to repair the work immediately and no cause thereof will be assigned pending resolution of such disputes.

21.4 Contractor shall be fully responsible for the security of his workmen/ employees/ associates/all kinds of materials deployed by the contractor / tools and plants. Contractor shall also be responsible for the security of all the executed works, under execution works and completed works till the period it is fully taken over by NBWAP.

22.0 RECORD FOR MATERIALS CONSUMED

The contractor shall maintain and furnish to the Engineer the RECORD OF MATERIALS consumed in the works for each activity. The statement showing the theoretical vis-à-vis actual consumption of specified materials, such as structural /reinforcement steel, cement, bitumen, lead, paint etc., shall be enclosed along with the Running Bills submitted by the contractor. Contractor has to also furnish the test results of the materials used in the work as per IS specifications.

23.0 PROTECTION OF EMBEDMENTS BOLTS ETC.

The contractor shall ensure proper protection to the satisfaction of the Engineer, of all bolts, inserts, embedment's etc. From weather etc/ by greasing, rapping them with gunny bags or canvas or by any other means as directed by Engineer. Cost of such protections shall be deemed to be included in the rates quoted for the item.

24.0 QUALITY ASSURANCE

The contractor has to establish / arrange at site the field testing facilities for testing of civil construction materials and concrete cubes for ensuring the proper quality, grade and strength of the materials used in the construction in line with approved field quality check list of WBZA. Contractor has to submit detailed report for testing of all material used etc. All testing shall be done as per IS code specifications/ NBWAP quality plan. If further test is required by the engineer to be carried from outside laboratory, the cost of the same shall be borne by the contractor.

25.0 METHOD OF MEASUREMENT-

Method of measurements shall be as per standard specification included in the tender. For other items, measurement shall be as per relevant IS CODE.

26.0 ARRANGEMENTS

26.1 WBZA shall try to assist and provide the Electric connection and water supply to the extent of availability with Zoo Authority on charges as admissible by the Concerning Authority. The contractor shall have their own arrangement for portable water required in access of the capacity to share water. Similarly, electric power supply as per line capacity available with the zoo authority shall share for the requirement but contractor should have its individual arrangements with DG set for construction purpose in access requirement and during load shedding.

26.2 For obtaining the connection the contractor shall install/ lay necessary pipelines and electric wiring covered in plastic conduits at his own cost.

27.0 PROGRESS REPORT-

Daily work progress report shall be maintained and the next day work should be carried out like curing, excavation, etc and discussed with the authorized person of Director.

PART – C
GENERAL TERMS AND CONDITIONS

1.0 DEFINITION OF TERMS

Throughout the Tender Documents including the Enquiry Letter, the following words shall have the meanings assigned to them herein, unless the subject matter or the context requires otherwise.

- 1.1 The '**Purchaser**' or 'NBWAP' shall mean North Bengal Wild Animals Park, West Bengal Zoo Authority incorporated under the Companies Act 1956, with its Registered Office at 5th Mile, Sevoke Road, Salugara, Siliguri, Dist-Jalpaiguri-734008, which expression shall include its successors and assigns; acting through its Fabrication Plant (FP), or its authorized officers or its Engineer or other employees authorized to deal with any matters with which these persons are concerned, on its behalf.
- 1.2 The '**Tenderer**' shall mean the Firm/Company/Organisation, which quotes against the Tender Enquiry issued by the Purchaser. It may also be referred as '**Bidder**'.
- 1.3 The '**Contractor**' shall mean the individual, firm or company whose Offer is accepted by NBWAP and enters into Contract with NBWAP and shall include their executors, administrators, successors and permitted assigns.
- 1.4 The '**Contract**' shall mean and include the agreement, the work order, the accepted appendices of rates, Schedules of Quantities, if any, General Conditions of Contract, Special Conditions of Contract, Instructions to Tenderers, the drawings, the technical specifications, the special specifications, if any, the tender documents and the Letter of Intent/ Acceptance letter issued by NBWAP. Any conditions or terms stipulated by the Tenderer in the tender documents or subsequent letters shall not form part of the Contract unless specifically accepted in writing by NBWAP in the Letter of Intent and incorporated in the Agreement. It may also be referred as '**Contract Document**'.
- 1.5 The '**Sub-contractor**' shall mean the person/firm/company/organisation to whom any part of the work has been sub-contracted by the Supplier, with the written consent of the Purchaser and shall include his heirs, executors, administrators, representatives and assigns.
- 1.6 The '**Engineer**', for the purpose of this Contract shall mean an engineer, person or company duly appointed as such from time to time or such other officials as may be duly authorised and appointed and notified in writing by purchaser to act as engineer. In cases where no such Engineer has been so appointed, the word 'Engineer' shall mean the Purchaser or his duly authorised representative. It may also be referred to as '**Engineer –in –Charge**'.
- 1.7 The '**Equipment**' shall mean and include plant and stores on which work is to be done by the Contractor under the Contract.
- 1.8 The '**Work**' shall mean and include supply of all categories of labour, specified consumables, tools and tackles required for complete and satisfactory construction, site transportation, handling, stacking, storing, erecting, testing and commissioning of the equipment; as defined in the Tender Documents, to the satisfaction of NBWAP. It may also be referred as '**CONTRACT WORK**'.

- 1.9 The **'Tender Document'** shall mean and include the instruction to Tenderers, general conditions, bidding conditions, specific conditions, specifications, schedules, drawings, form of tender, schedule of prices and quantities, contained in the Tender and any subsequent modifications thereof.. It may also be referred as **'Tender Specification'**
- 1.10 The **'Offer'** shall mean and include the technical and commercial documents including specifications, schedule of prices and quantities, drawings etc submitted by the Tenderer in response to the tender enquiry and any subsequent clarifications thereof. It may also be referred as **'Bid'**.
- 1.11 **'Acceptance of offer'** shall mean issue of letter of intent/award or memorandum or detailed Order/Contract communicating the acceptance of offer, to the successful Tenderer.
- 1.12 The **'Letter Of Intent'** shall mean the intimation by a letter / fax to the Tenderer that the tender has been accepted in accordance with provisions contained in the letter. The responsibility of the contractor commences from the date of issue of this letter and all the terms and conditions of contract are applicable from this date.
- 1.13 The **'Site'** shall mean the site of the proposed work at place for which NIT published by the DIRECTOR NBWAP/WBZA.
- 1.14 The **'Completion Time'** shall mean the period specified in the Letter of Intent or date mutually agreed upon for completing the work to the satisfaction of the Engineer, being of required standard and conforming to the specifications of the Contract including extension period.
- 1.15 The **'Tests'** shall mean and include such test or tests to be carried out by the Contractor as are prescribed in the Contract or considered necessary by the Director WBZA in order to ascertain the quality, workmanship, performance and efficiency of the contracted work or part there off.
- 1.16 Unless otherwise specifically mentioned in the item off the schedule/ all GI pipe and PVC pipes are to be normally of TATA make or ISI mark material approved by Engineer-In-Charge. The pipe lines valves and cocks shall be tested at the contractor's expenses for which no extra payment shall be allowed. All GI pipes and fittings shall have to be painted outside with two coats of paints of approved brand and shade.

Director
North Bengal Wild Animals Park

Memo No. 1644 /E- Tender - 72/NBWAP/2023-24

Dated, Siliguri, the: 12 /02/2024

Copy forwarded for information & necessary action to:-

1. The Member Secretary, WBZA, Kolkata.
2. The Assistant Director, NBWAP
3. The Range Officer, NBWAP
4. SAE, NBWAP
5. Office Copy

Director
North Bengal Wild Animals Park

AFFIDAVIT – “Y”

(To be furnished in Non Judicial Stamp paper of appropriate value duly notarized)

- 1) I, the under-signed do certify that all the statements made in the attached documents are true and correct. I have all machineries as per NIT & all will be at site during entire period of work. In case of any information submitted proved to be false or concealed, the application may be rejected and no objection/claim will be raised by the under-signed.
- 2) The under-signed also hereby certifies that neither our firm M/S..... nor any of constituent partner had been debarred to participate in tender by the any Government Department during the last 3 (three) years prior to the date of this N.I.T. I/We have presently.....nos of works in my hand & I would finish the work in time.
- 3) The under-signed would authorize and request any Bank, person, Firm or Corporation to furnish pertinent information as deemed necessary and/or as requested by the Department to verify this statement.
- 4) The under-signed understands that further qualifying information may be requested and agrees to furnish any such information at the request of the Department.
- 5) Certified that I have applied certified that I have applied in the tender in the capacity of individual/ as a partner of a firm/authorized representative of company or society and I will not handover the job to any other person except my employee to supervise.

Signed by an authorized officer of the firm.

Title of the officer

Name of the Firm with Seal

Date:



सत्यमेव जयते



West Bengal Zoo Authority
Office of The Director
North Bengal Wild Animals Park,
5th Mile, Sevoke Road, Salugara, Siliguri-734008 (W.B.)
Email Id: - dirnbwap@gmail.com



APPLICATION FORM

FORM FOR DETAILS OF AGENCIES FOR “-----”
of North Bengal Wild Animals Park, Siliguri during the period 2023-24 under E- Tender
No. 72/NBWAP/2023-24.

(All information should be given in the following format with complete details)

Any wrong information/ uncompleted documents or without prescribed tender form shall be liable
of rejection of application.

1	Name of Agency	
2	Full Postal Address	
3	Telephone No. /Fax No./Email No.	
4	Type of Firm (whether proprietorship or partnership)	
5	Name & Professional qualification of the Proprietor or of Partner/s	
6	Number of Staff (Technician, Supervisor, Labour) employed in the firm	
7	Description of Major work carried out preferably in zoo campuses in last three years or any Govt. Organization (attach copy of the work order and completion certificate etc	
8	Name of the Organization	
9	Work Order No	
10	Duration of Work	

28

11	Schedule of Payment received	
12	Present important assignments (submit supporting documents)	
13	IT Regd. No./details (latest)	
14	PAN No.	
15	GST No.	
16	Trade License No.	
17	PT Regd. No.	
18	Application submitted for (With project no.)	
19	Tender Estimated Value Rs.	
20	EMD Details	
21	Others details, if any	

Note:-Please attach relevant documents (with sign & seal) with application form.

Date:-

Place: -

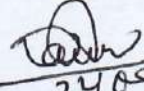
Signature (in full) & seal

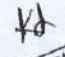
CONSTRUCTION OF MANDRILL ENCLOSURE AT NORTH BENGAL WILD ANIMAL PARK
(BENGAL SAFARI), SILIGURI

DETAILS ESTIMATE OF MANDRILL ENCLOSURE

Summary of Cost

Sl. No.	Items	Cost in Rs.	Cost in Lacs
1	Mandrill Encloser	24,34,300.78	24.34
2		2354734.09	
3	Total (1 to)=	2354734.09 24,34,301	24.3
4	GST @ 18% of Sl no.3	423852.12 4,38,174	4.4
5	Total with GST (3+4)	2778586.12 28,72,475	28.7
6	Labour Cess @ 1% on 5	2778586 28,725	0.3
7	Contingency Charge @ 3% on 5	83357.58 86,174.25	0.9
8	Total with GST, Contingency & Labour Cess (5+6+7)	2889729.56 29,87,373.92	29.9

Vetted

 24/09/23
 EXECUTIVE ENGINEER
 Siliguri Jalpaiguri Development Authority
 Jalpaiguri


 Director
 North Bengal Wild Animals Park
 Siliguri

CONSTRUCTION OF MANDRILL ENCLOSURE AT NORTH BENGAL WILD ANIMAL PARK (BENGAL SAFARI), SILIGURI

Schedule of quantity for mandrill Encloser

Sl. No.	Description	Unit	Quantity	Rate (Rs)	Amount (Rs.)	Reference
1	Earth work in excavation of foundation trenches or drains, in all sorts of soil (including mixed soil but excluding laterite or sandstone) including removing, spreading or stacking the spoils within a lead of 75 m. as directed. The item includes necessary trimming the sides of trenches, leveling, dressing and ramming the bottom, bailing out water as required complete. Depth of excavation not exceeding 1500 mm	Cum	277.410	119.27	33086.69	Page-1, Item no-2a Vol-I
2	Earth work in filling in foundation trenches or plinth with good earth, in layers not exceeding 150 mm. including watering and ramming etc. layer by layer complete. (Payment to be made on the basis of measurement of finished quantity of work). With earth obtained from excavation of foundation	Cum	261.820	77.54	20301.52	Page-1, Item no-3 a Vol-I
3	Brick soling with picked jhama bricks including preparation of bed as necessary with joints properly filled in and packed with powdered earth and including necessary cushion of similar material below the soling (and in between layers when more than one layer is used) completes as per direction. Single brick flat soling(thickness 75mm.)	Sqm	151.780	339.00 312.00	51453.42 47355.36	WB PWD SOR 2017 (Page-226, Item no 1a)
4	Ordinary Cement concrete (mix 1:2:4) with graded stone chips (20 mm nominal size) excluding shuttering and reinforcement, if any, in ground floor as per relevant IS codes. Pakur variety.	Cum	11.380	5395.85	61404.74	Analysis
5	Hire and labour charges for shuttering with centreing and necessary staging. using approved stout props and thick hard wood planks of approved thickness with required bracing for concrete slabs, beams, columns, lintels curved or straight including fitting, fixing and striking out after completion of works. Steel shuttering or 9 to 12 mm thick approved quality plyboard shuttering in any concrete work.	Sqm	311.700	363.00	113147.10	Page-42, Item no-36c Vol-I

CONSTRUCTION OF MANDRILL ENCLOSURE AT NORTH BENGAL WILD ANIMAL PARK (BENGAL SAFARI), SILIGURI

Schedule of quantity for mandrill Encloser

Sl. No.	Description	Unit	Quantity	Rate (Rs)	Amount (Rs.)	Reference
7	Reinforcement for reinforced concrete work in all sorts of structures including distribution bars, stirrups, binders etc initial straightening and removal of loose rust (if necessary), cutting to requisite length, hooking and bending to correct shape, placing in proper position and binding with 16 gauge black annealed wire at every intersection, complete as per drawing and direction. Tor steel (JSW / JSPL / SHYAM /SRMP /BMASL / ELECROSTEEL / SSL)	M.T.	4.710	60941.61	287034.98 ✓	Analysis of Steel
6	Controlled Cement concrete with well graded stone chips (20 mm nominal size) excluding shuttering and reinforcement with complete design of concrete as per IS : 456 and relevant special publications, submission of job mix formula after preliminary mix design after testing of concrete cubes as per direction of Engineer-in charge. Consumption of cement will not be less than 300 Kg of cement with Super plasticiser per cubic meter of controlled concrete but actual consumption will be determined on the basis of preliminary test and job mix formula. In ground floor and foundation.[using concrete mixture] M 25 Grade Roof & above	Cum	37.645	6127.97	230687.58 ✓	Analysis of Concrete
8	Brick work with 1st class bricks in cement mortar(1:4). In foundation and plinth	Cum	23.925	5103.93	122111.53 ✓	Analysis Cement
9	Plaster (to wall, floor, ceiling etc.) with sand and cement mortar including rounding off or chamfering corners as directed and raking out joints including throating, nosing and drip course, scaffolding / staging chipping where necessary. With 1:6 cement mortar 20 mm thick plaster	Sqm	191.400	157.57	30158.90 ✓	Analysis Cement

CONSTRUCTION OF MANDRILL ENCLOSURE AT NORTH BENGAL WILD ANIMAL PARK (BENGAL SAFARI), SILIGURI

Schedule of quantity for mandrill Encloser

Sl. No.	Description	Unit	Quantity	Rate (Rs)	Amount (Rs.)	Reference
10	M.S. structural works with hollow sections (square or rectangular shape) conforming to IS: 806-1968 & IS:1161-1998) connected to one another with bracket, gusset, cleat as per design, drawing & direction of Engineer-in-Charge complete including cutting to requisite shape & size, fabrication including metal arc welding conforming to IS: 816-1969 & IS: 9595 using electrodes of approved make and brand conforming to IS:814- 2004, haulage, hoisting and erection all complete. The rate includes the cost of all M.S. Hollow section, all consumables such as electrodes, gas and hire charges of all tools and plants and labour required for execution and all incidental chages (such as electricity, labour insurance) etc. complete. For other Structural works like galleries etc.	M.T.	8.190	76887.00	629704.53	P-101, It-2Acii PWD SOR Vol-II 3rd Corrigendum
11	Supplying, fitting, fixing, Chain link fencing of approved quality with R.C.C posts wooden posts or iron posts by means of galvanised "C" clips to grid of horizontal strands of galvanised high tensile spring steel wire of 12 S.W.G which have to be tensioned and fixed to the vertical posts by means of galvanised special clips, bolts and nuts etc. 25 mm. x 25 mm. x 12 g	Sqm	1605.713	367.00 414.00	589296.64 664765.18	Page-222, Item no-11 VII Vol-I
12	Supplying galvanised straining bolts (with eye at one end with double nuts and washers) fitted and fixed complete.	Rm	16.000	34.00	544.00	P-221, It-6 PWD SOR Vol-I
13	Applying Exterior grade Acrylic primer of approved quality and brand on plastered or concrete surface old or new surface to receive decorative textured(matt finish) or smooth finish acrylic exterior emulsion paint including scraping and preparing the surface thoroughly, complete as per manufacturer's specification and as per direction of the EIC. Two coats	Sqm	116.000	45.10	5231.60	Page-196, Item no-8b Vol-I

CONSTRUCTION OF MANDRILL ENCLOSURE AT NORTH BENGAL WILD ANIMAL PARK (BENGAL SAFARI), SILIGURI


Schedule of quantity for mandrill Encloser

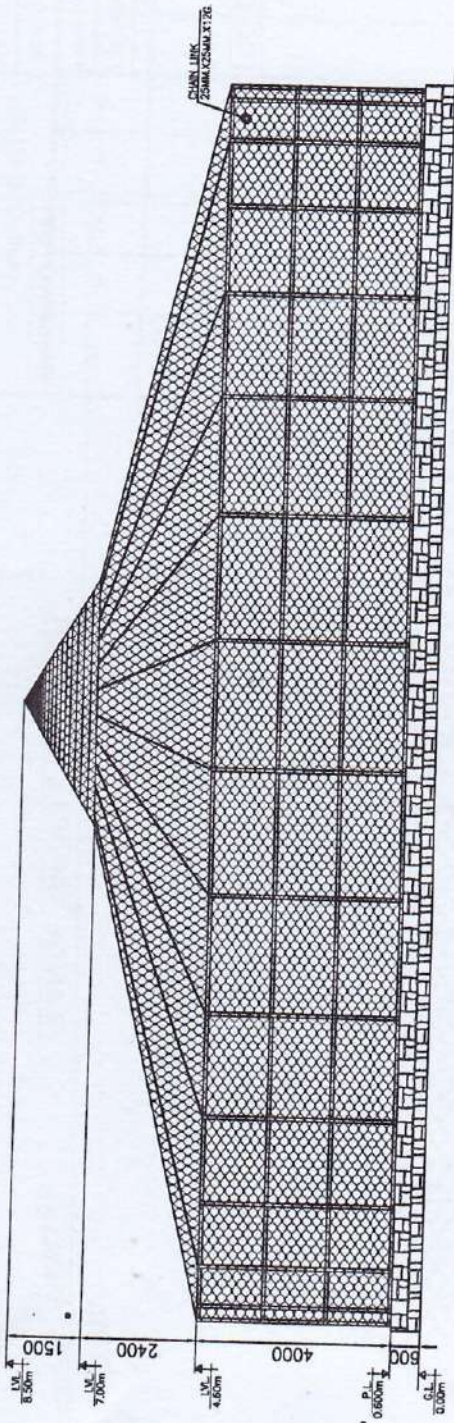
Sl. No.	Description	Unit	Quantity	Rate (Rs)	Amount (Rs.)	Reference
14	Protective and Decorative Acrylic exterior emulsion paint of approved quality, as per manufacturer's specification and as per direction of EIC to be applied over acrylic primer as required. The rate includes cost of material, labour, scaffolding and all incidental charges but excluding the cost of primer. Super Protective 100% Acrylic Emulsion.	Sqm	116.000	97.00	11252.00	Page-197, Item no-17c Vol-I
15	Priming one coat on steel or other metal surface with synthetic oil bound primer of approved quality including smoothening surfaces by sand papering etc.	Sqm	1605.713	29.00	46565.68	Page-200, Item no-1a Vol-I
16	Supplying & Applying painting with best quality synthetic enamel paint of approved make & brand including smoothening surface by papering etc. including using of approved putty etc. on the surface, if necessary: On steel or other metal surface. With super gloss (hi gloss). Two coats (with any shade except white). any floors. Roof & above.	Sqm	1605.713	79.00	126851.33	Page-200, Item no-2biv Vol-I
Total					24,34,300.78	

2354734.09

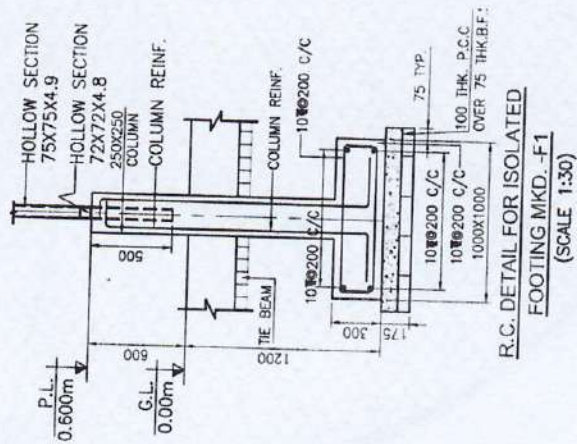
Vetted

 27/05/23
EXECUTIVE ENGINEER
 Siliguri Jalpaiguri Development Authority
 Jalpaiguri

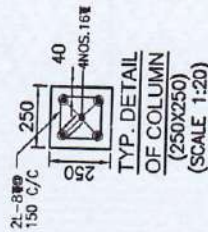

Director
 North Bengal Wild Animals Park
 Siliguri



ELEVATION OF MANDRILL
(SCALE 1:100)



R.C. DETAIL FOR ISOLATED FOOTING MKD.-F1
(SCALE 1:30)

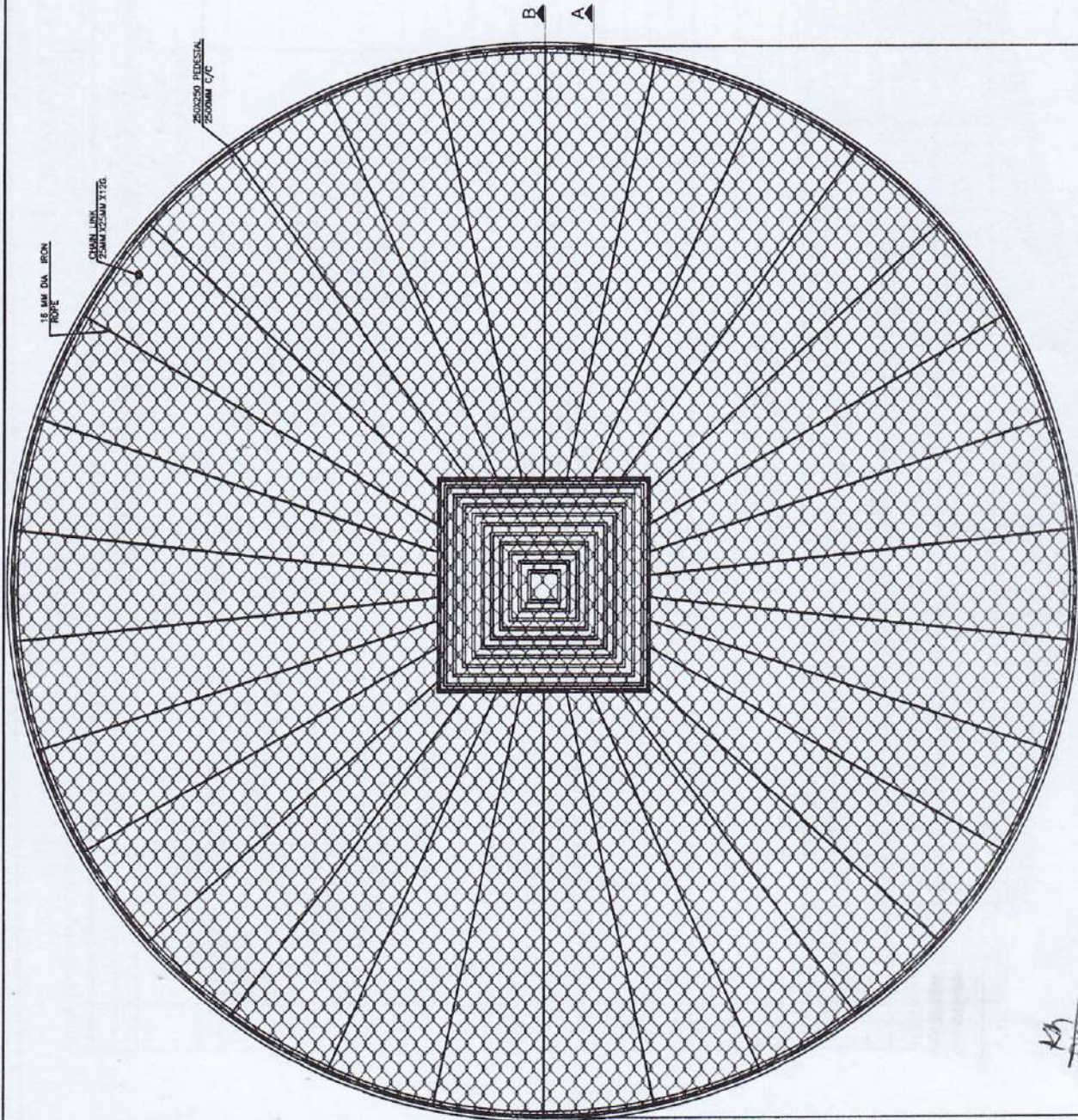



TYP. DETAIL OF COLUMN (250X250)
(SCALE 1:20)

PROJECT NAME :-		CONSTRUCTION OF MANDRILL ENCLOSURE SHELTER AT NORTH BENGAL WILD ANIMAL PARK (BENGAL SAFARI), SILIGURI	
DRAWING NO	MANDRILL ENCLOSURE /2023/02	AS SHOWN	DRAWN BY P.DAS
REVISION NO	R0	DATE	02-09-2023
SCALE		CHECKED BY	P.DAS
			APP. BY

DRAWING NAME :-
ELEVATION & COLUMN SECTION

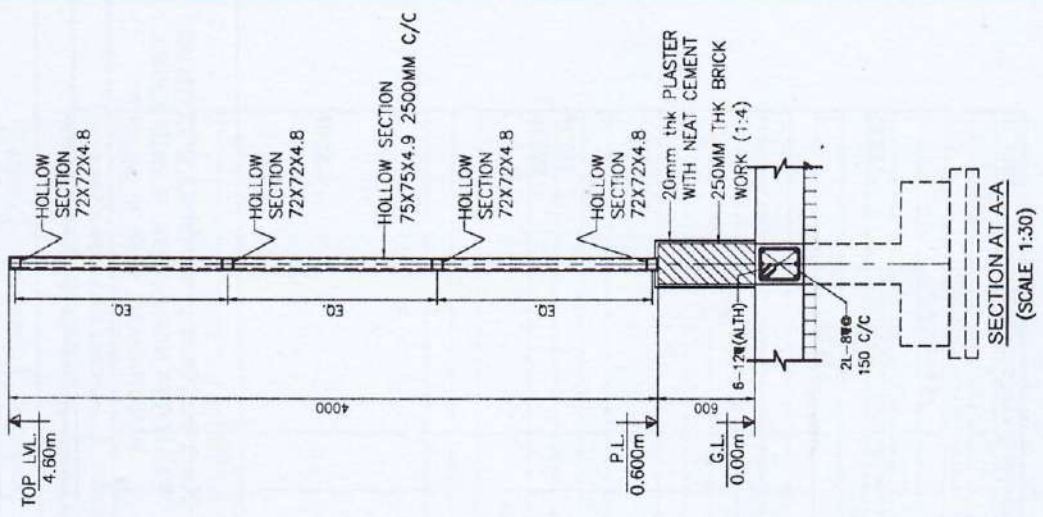
Checked
North Bengal Wild Animals Park
Siliguri




 Director
 North Bengal Wild Animals Park
 Siliguri

25475
PLAN OF MANDRILL ENCLOSURE
 (SCALE 1:100)

DRAWING NAME :-
PLAN & SECTION



PROJECT NAME :-	
CONSTRUCTION OF MANDRILL ENCLOSURE SHELTER AT NORTH BENGAL WILD ANIMAL PARK (BENGAL SAFARI), SILIGURI	
DRAWING NO	MANDRILL ENCLOSURE/2023/01
REVISION NO	R0
SCALE	AS SHOWN
DATE	02-09-2023
DRAWN BY	P.DAS
CHECKED BY	P.DAS
APP. BY	